

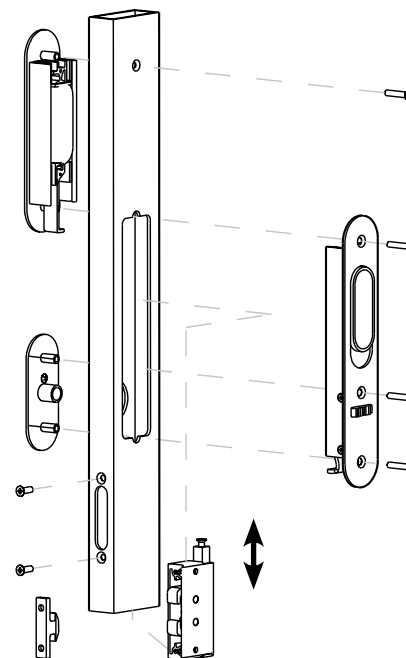
CABIN & COCKPIT ENTRY HARDWARE

STAR PART NUMBERS					
FINISH	STYLE	DOOR THICKNESS (B)			
		20.5 (0,81) - 23 (0,91)	23 (0,91) - 28.5 (1,12)	28.5 (1,12) - 33.5 (1,32)	33.5 (1,32) - 38 (1,50)
Chrome	Standard	MM-01-130-10 •	MM-01-131-10 •	MM-01-132-10 •	MM-01-133-10 •
	Standard Top stop feature	MM-01-430-10 •	MM-01-431-10 •	MM-01-432-10 •	MM-01-433-10 •
Black Powder Coated	Standard	MM-01-130-50 •	MM-01-131-50 •	MM-01-132-50 •	MM-01-133-50 •
	Standard Top stop feature	MM-01-430-50 •	MM-01-431-50 •	MM-01-432-50 •	MM-01-433-50 •

STAR TALON ACCESSORIES	
Mounting tool for striker	MM-90-103-41
Top Stop	MM-7520
High-seas handles for chrome Talon	MM-7660
High-seas handles for black Talon	MM-7683
Ramp for Top Stop	MM-90-201-60

For top stop installation please refer to page 26.
 For high seas handle installation please refer to page 29.

Assembly



A

Panel Preparation

